



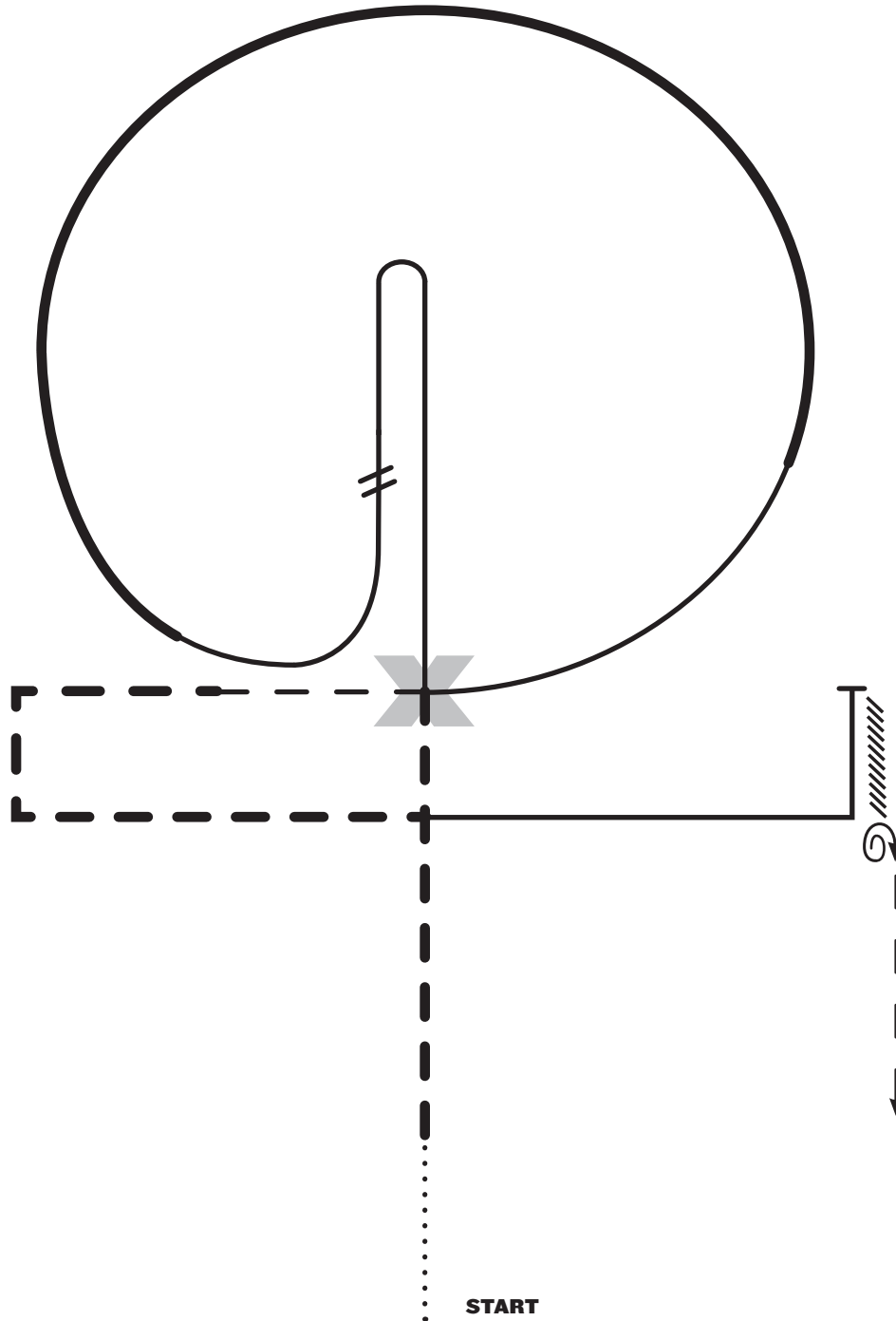
AQHA

# Western Horsemanship

AMATEUR LEVEL 3 PRELIMS

X = Center of Arena

WORLD CHAMPIONSHIP SHOW



1. From gate, walk into arena, extended jog up the centerline to X
2. At X, lope left lead continuing up centerline, U turn back toward X
3. Change leads (simple or flying)
4. Continue on right lead back to X, extend lope around circle, collect lope
5. At X, jog, extended jog two square corners
6. When even with X, lope left lead and lope a square corner, when even with X, stop
7. Back
8. 540° (1 1/2) right turn, pattern is complete, exit at the jog

Note: The drawn description of this pattern is only intended for the general depiction of the pattern. Exhibitors should utilize the arena space to best exhibit their horses.